

**TREATMENT PLANT APPROVAL 01/2023**  
*Plumbing and Drainage Regulation 2019, part 4.*



**Approval**

1. The **Envirotech Aerobic Sand Filter – CP Signature Series** (“the system”) described in the Specifications and Drawings in the attached Schedule and manufactured by **Pinnacle Enviro Systems Pty Ltd. T/A Envirotech Treatment Systems** (ABN 76 650 825 380) (“the manufacturer”) has been assessed in accordance with the Queensland Plumbing and Wastewater Code (QPW Code).
2. Approval is granted for the system as an advanced secondary quality wastewater treatment system with nutrient reduction, subject to compliance by the manufacturer with the requirements of the *Plumbing and Drainage Regulation 2019, part 4* and the conditions of approval detailed below.
3. This approval, the conditions of approval and the Schedule comprise the entire Chief Executive Approval document.
4. Any modification by the manufacturer to the design, drawings or specifications scheduled to this approval must be approved by the Chief Executive.

**Conditions of approval**

5. The manufacture, installation, operation, service and maintenance of the systems must be in conformity with the conditions of this Treatment Plant Approval.
6. The system when tested by a certification accreditation body in accordance with AS1546.3:2017 was found to comply with the advanced secondary 10EP/1500L level with nutrient reduction effluent criteria and must continue to meet the following requirements:

**TABLE 2.2 (AS1546.3:2017)**

**EFFLUENT COMPLIANCE CRITERIA FOR AN STS WITH NUTRIENT REDUCTION FACILITIES**

Parameter	Secondary effluent with reduced nutrients		Advanced secondary effluent with reduced nutrients	
	90% of samples	Maximum	90% of samples	Maximum
BOD <sub>5</sub>	≤ 20 mg/L	30 mg/L	≤ 10 mg/L	20 mg/L
TSS	≤ 30 mg/L	45 mg/L	≤ 10 mg/L	20 mg/L
<i>E. coli</i> *	≤ 10 cfu/100 mL	30 cfu/100 mL	≤ 10 cfu/100 mL	30 cfu/100 mL
FAC †	Minimum 0.5 mg/L ‡	N/A	Minimum 0.5 mg/L ‡	N/A
Turbidity §	N/A	N/A	N/A	10 NTU
Total N	N/A	15 mg/L	N/A	15 mg/L
Total P	N/A	2 mg/L	N/A	2 mg/L

\* Where disinfection is required.

† Where chlorine disinfection is used.

‡ Minimum level, not 90% of samples.

§ Where UV light is used for disinfection (see Paragraph B3.1).

|| In alignment with NZ OSET NTP ‘A grade’ nutrient reduction capabilities.



7. Each system must be serviced in accordance with the accreditation certificate by Global Certification Pty Ltd on 16 March 2019, and details supplied in the owner’s operation and maintenance manual.

8. Each system must be supplied with —

- (a) a copy of this Treatment Plant Approval document;
- (b) details of the system;
- (c) instructions for authorised persons for its installation;
- (d) a copy of the owner's manual to be given to the owner at the time of installation;
- and
- (e) detailed instructions for authorised service personal for its operation and maintenance.



9. At each anniversary of the Treatment Plant Approval date, the supplier must submit to the Chief Executive a list of all systems installed in Queensland during the previous 12 months. Where the Chief Executive is notified of any system failures the Chief Executive may randomly select a number of installed systems for audit. The Chief Executive will notify the supplier's nominated NATA accredited laboratory which systems are to be audited for BOD<sup>5</sup> and TSS. The sampling and testing of the selected systems, if required, is to be done at the supplier's expense. The following results must be reported to the Chief Executive;

- (a) Address of premises;
- (b) Date inspected and sampled;
- (c) Sample identification number;
- (d) BOD<sup>5</sup> for influent and effluent; and
- (e) TSS for influent and effluent.

10. The Chief Executive may, by written notice, cancel this approval if the manufacturer/supplier fails —

- (a) to comply with one or more of the conditions of approval; or
- (b) within 30 days, to remedy a breach, for which a written notice been given by the Chief Executive.

11. This approval may only be assigned with the prior written consent of the Chief Executive.

12. This approval expires on 15 February 2028 unless cancelled earlier in accordance with paragraph 10 above.

Lindsay Walker

**Director**  
**Plumbing, Drainage and Special Projects**  
Date approved: 15 February 2023

Level 7,  
63 George Street Brisbane  
GPO Box 2457, Brisbane Qld 4001  
**Telephone** +61 7 3008 2557  
**Facsimile** +61 7 3237 1248  
**Website** [www.hpw.qld.gov.au](http://www.hpw.qld.gov.au)

ABN 61 331 950 314

**TREATMENT PLANT APPROVAL No. 01/2023**  
*Plumbing and Drainage Regulation 2019, part 4*



**SCHEDULE**

**Attachment 1**

Specifications & Drawings for the

**Envirotech Aerobic Sand Filter – CP Signature Series**



# PRODUCT CERTIFICATE OF REGISTRATION

## Pinnacle Enviro Systems Pty Ltd T/A Envirotech Treatment Systems

44 Palmerin Street, Warwick, QLD 4370, Australia

### Product Performance Testing

AS 1546.3:2017

Envirotech 10 A.S.F. CP Signature Series has achieved  
Advanced Secondary Quality Effluent at 1500 L/day (10EP level) with Nitrogen  
reduction of 39.27% and Phosphorus reduction of 36.43%.

Model	Disinfection	Average Results over the Test Period	Servicing Frequency	Discharge	Manufactured and assembled
Envirotech 10 A.S.F. CP Signature Series	Yes	TSS 7.66mg/L BOD5 2.31mg/L Nitrogen 43.66mg/L Phosphorus 7.59mg/L E coli 0.93 CFU/100mL	Yearly	Pumped via disinfection/pump chamber with chlorine dispenser	Manufactured and Assembled: 44 Palmerin Street, Warwick, QLD 4370, Australia

Chlorine was added to the system at the commencement the test period for sterilisation.  
Servicing is conducted yearly

*This Certificate of Conformance to the Product Certificate Scheme for "Domestic Wastewater Treatment Units (AWTS)" remains the property of Global Certification Pty. Ltd. and is granted subject to the terms and conditions of the Contract Application, in respect of the Product certified on this page and the attached schedule to the Certification of Conformance, bearing the same number as this certificate.*



Managing Director

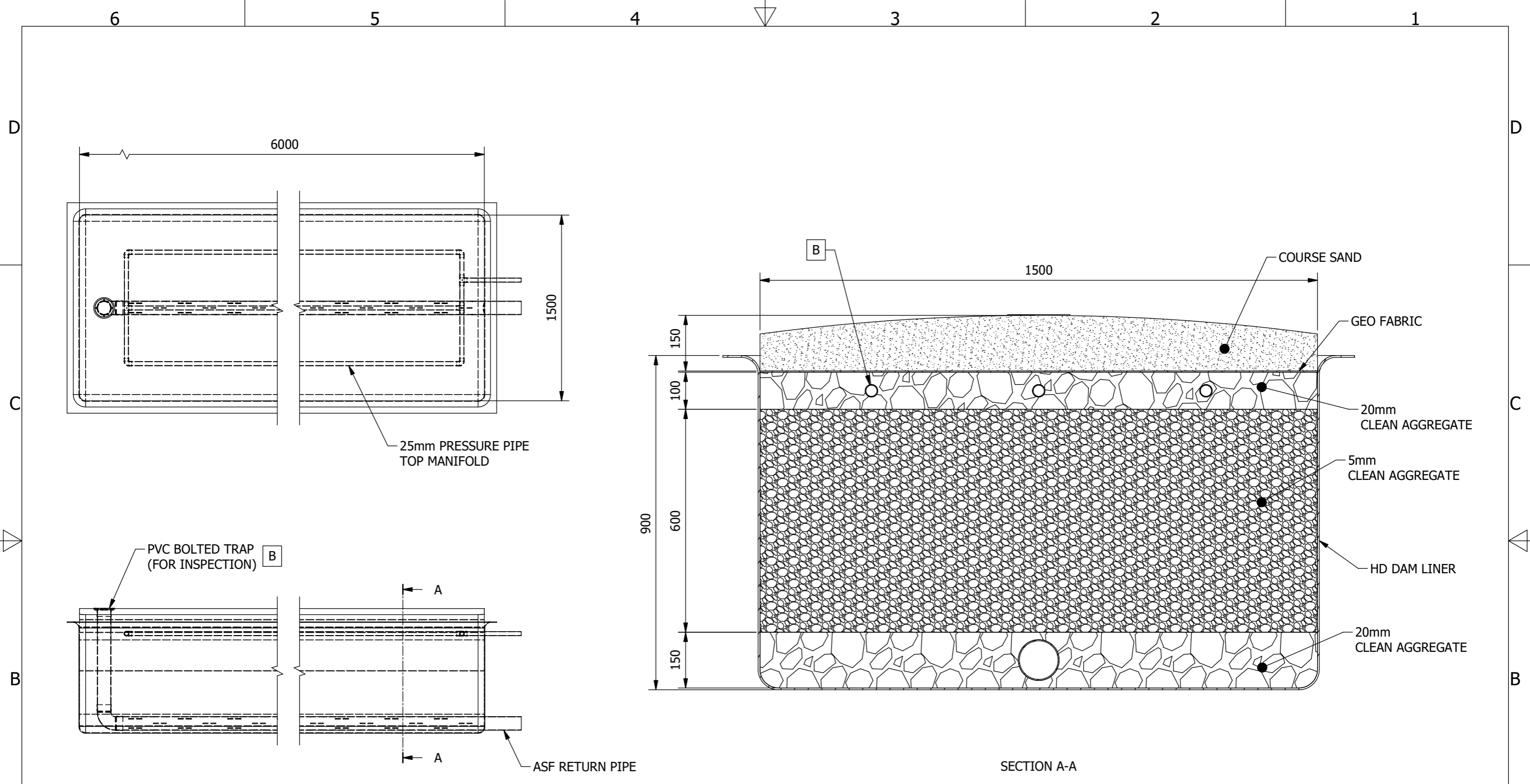


CERTIFICATION DATE:  
18 November 2022

DATE OF ISSUE:  
18 November 2022

EXPIRY DATE:  
18 November 2027

CERTIFICATE #:  
4302-3105-01



NOTES

REV	DESCRIPTION	DWN	CKD	APP	DATE
C	ISSUED FOR SUBMITTAL	P.B	M.B	M.B	06/10/2022
B	MANIFOLD MOVED AND ELBOW, RISER AND TRAP ADDED	P.B	M.B	M.B	03/10/2022
A	ISSUED FOR REVIEW	P.B	M.B	M.B	25/09/2022

REVISION HISTORY

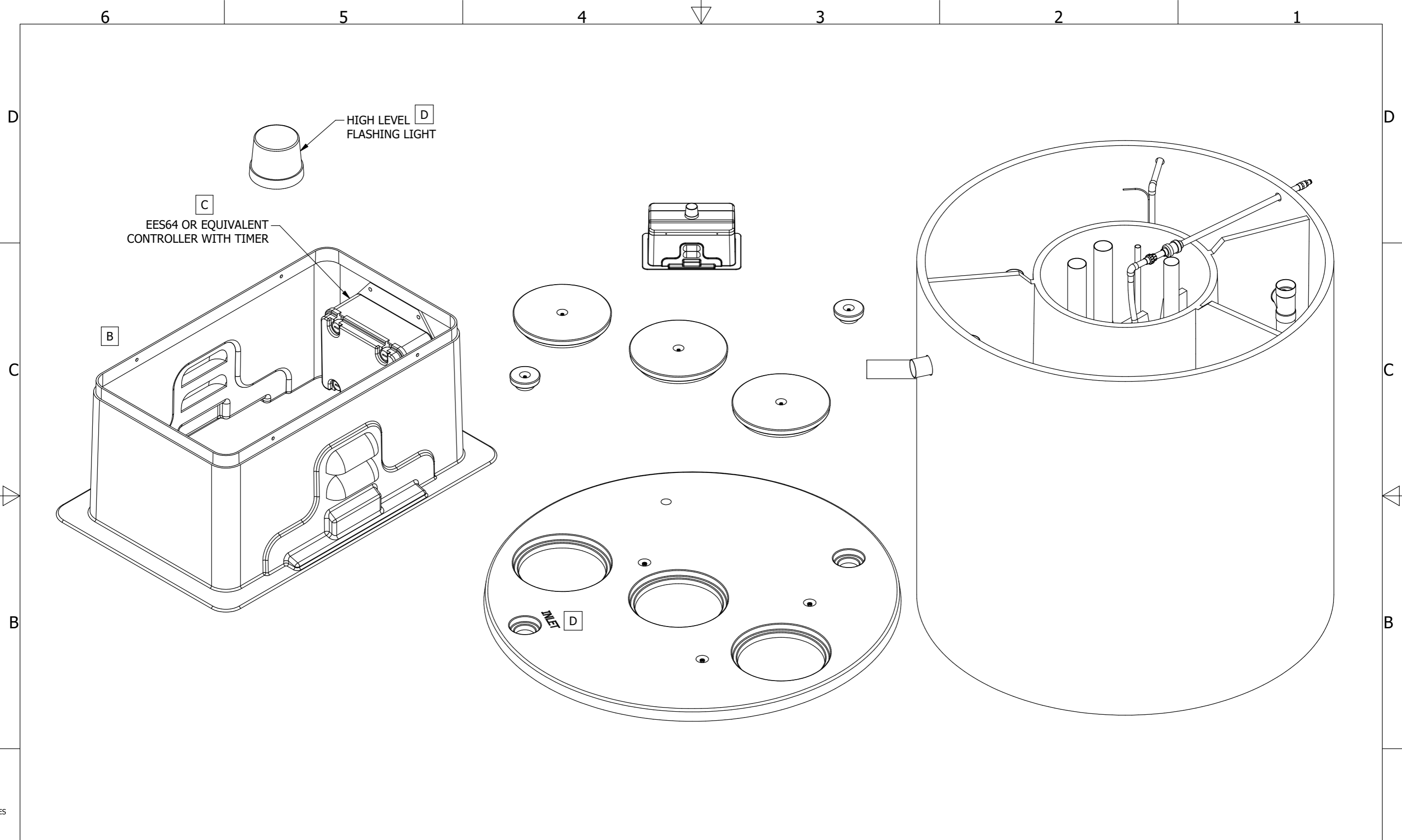


PART N° CPSS 1000	UNLESS OTHERWISE SPECIFIED DIMENSIONS ARE IN MILLIMETERS TOLERANCES UNLESS OTHERWISE SPECIFIED:
STOCK N° CPSS 1000	
NC PROGRAM	
PART FILE CPSS 1000	
DRAWING FILE CPSS 1000	DECIMAL    LINEAR    ANGULAR X.           ±0.5           ±0.5° X.X          ±0.1           ±0.1° X.XX        ±0.05          ±0.05° REMOVE ALL BURRS AND SHARP EDGES DO NOT SCALE IF IN DOUBT ASK STATUS
WEIGHT N/A	ISSUED FOR REVIEW

	DRAWN P.B
	CHKD
	APPD
	ISSUED

PROJECT CP SIGNATURE SERIES
25/09/2022

<b>ENVIROTECH</b>	
CP SIGNATURE SERIES	
A.S.F (AEROBIC SAND FILTER)	
CUSTOMER ENVIROTECH	
SUPPLIER	
REV C	SIZE A3
SHEET 1 OF 1	



REV	DESCRIPTION	DWN	CKD	APP	DATE
F	ISSUED FOR SUBMITTAL	P.B	M.B	M.B	06/10/2022
E	PROJECT TITLE DESCRIPTION AND DIMENSION CHANGED	P.B	M.B	M.B	22/09/2022
D	INCORPORATED COMMENTS DIMENSIONS ADDED OR CHANGED	P.B	M.B	M.B	30/08/2022
C	INCORPORATED COMMENTS VIEWS ADDED	P.B	M.B	M.B	13/08/2022
B	INCORPORATED COMMENTS VIEW ADDED	P.B	M.B	M.B	09/07/2022
A	ISSUED FOR REVIEW	P.B	M.B	M.B	26/06/2022
REVISION HISTORY					



PART N° CPSS 0000	UNLESS OTHERWISE SPECIFIED DIMENSIONS ARE IN MILLIMETERS TOLERANCES UNLESS OTHERWISE SPECIFIED:	<table border="1"> <tr> <th>DECIMAL</th> <th>LINEAR</th> <th>ANGULAR</th> </tr> <tr> <td>X.</td> <td>±0.5</td> <td>±0.5°</td> </tr> <tr> <td>X.X</td> <td>±0.1</td> <td>±0.1°</td> </tr> <tr> <td>X.XX</td> <td>±0.05</td> <td>±0.05°</td> </tr> </table>	DECIMAL	LINEAR	ANGULAR	X.	±0.5	±0.5°	X.X	±0.1	±0.1°	X.XX	±0.05	±0.05°
DECIMAL			LINEAR	ANGULAR										
X.			±0.5	±0.5°										
X.X			±0.1	±0.1°										
X.XX	±0.05	±0.05°												
STOCK N° CPSS 0000														
NC PROGRAM														
PART FILE CPSS 0000	REMOVE ALL BURRS AND SHARP EDGES													
DRAWING FILE CPSS 0000	DO NOT SCALE IF IN DOUBT ASK STATUS													
WEIGHT N/A	ISSUED FOR REVIEW													

	PROJECT CP SIGNATURE SERIES
	25/06/2022
	APPD
	ISSUED

<b>E</b> <b>ENVIROTECH</b> <b>CP SIGNATURE SERIES</b> <b>LOW POWER / LOW MAINTENANCE</b> <b>WASTEWATER TREATMENT SYSTEM</b>	CUSTOMER ENVIROTECH	
	SUPPLIER	
REV F	SIZE A3	SHEET 1 OF 4

NOTES

6 5 4 3 2 1

D

C

B

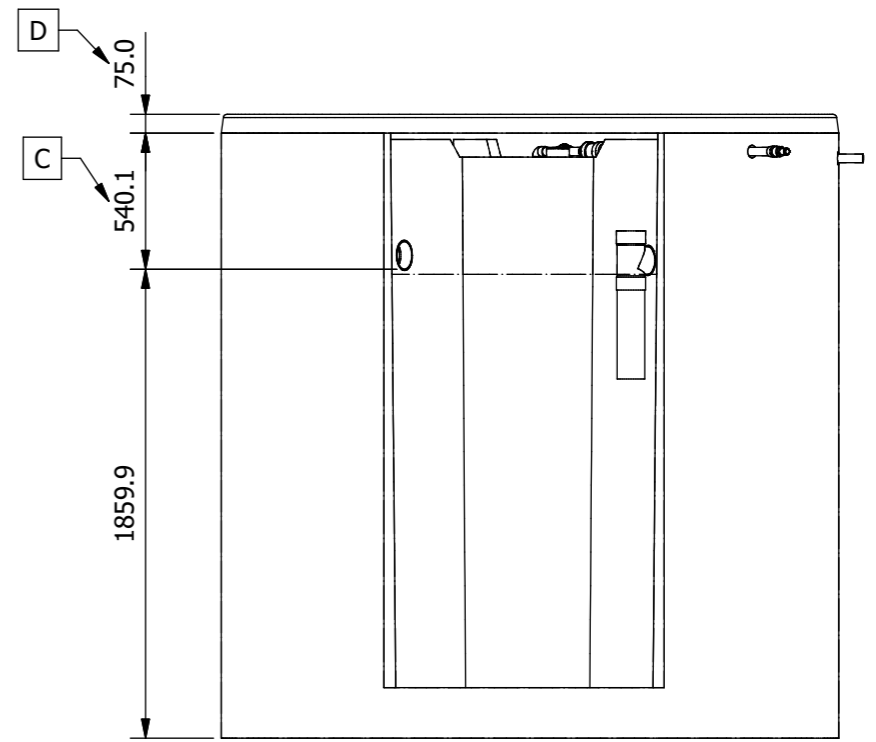
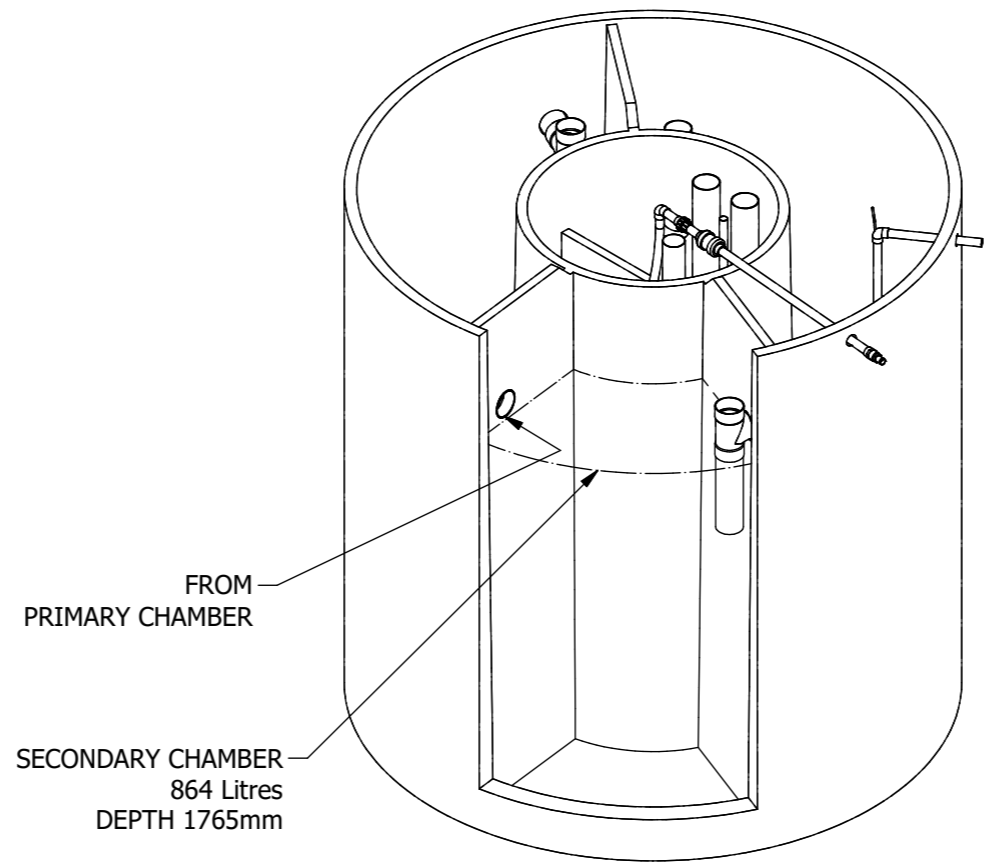
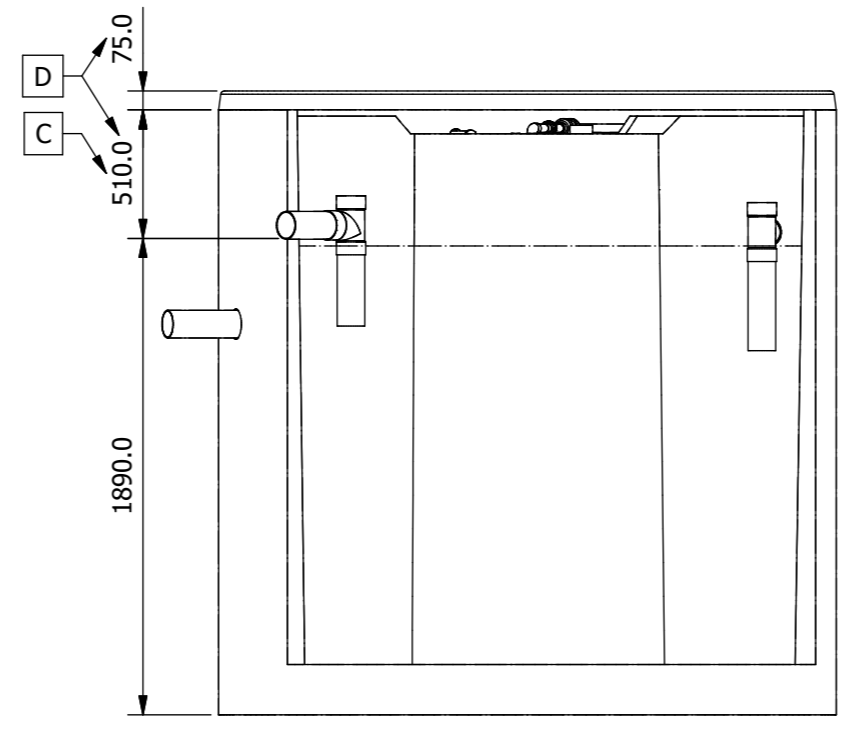
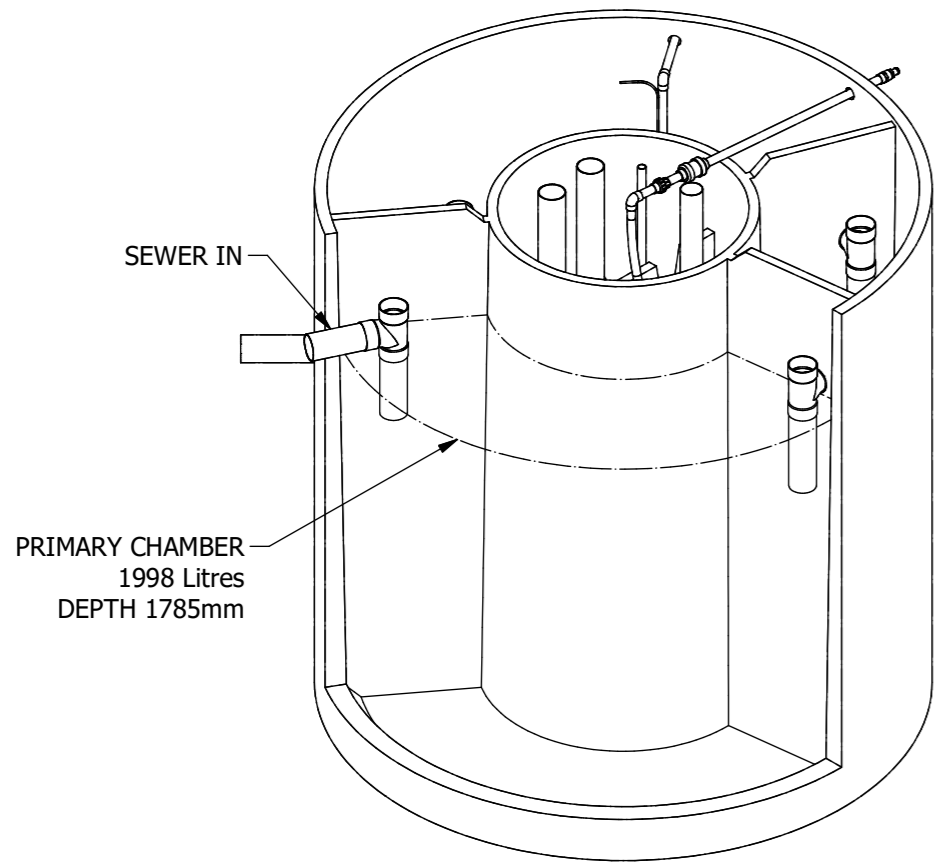
A

D

C

B

A



NOTES

F	ISSUED FOR SUBMITTAL	P.B	M.B	M.B	06/10/2022
E	PROJECT TITLE DESCRIPTION AND DIMENSION CHANGED	P.B	M.B	M.B	22/09/2022
D	INCORPORATED COMMENTS DIMENSIONS ADDED OR CHANGED	P.B	M.B	M.B	30/08/2022
C	INCORPORATED COMMENTS VIEWS ADDED	P.B	M.B	M.B	13/08/2022
B	INCORPORATED COMMENTS VIEW ADDED	P.B	M.B	M.B	09/07/2022
A	ISSUED FOR REVIEW	P.B	M.B	M.B	26/06/2022
REV	DESCRIPTION	DWN	CKD	APP	DATE
REVISION HISTORY					



PART N°  
CPSS 0000  
STOCK N°  
CPSS 0000  
NC PROGRAM

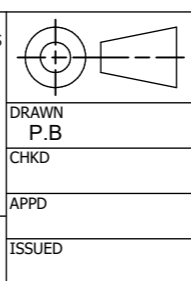
PART FILE  
CPSS 0000  
DRAWING FILE  
CPSS 0000  
WEIGHT  
N/A

UNLESS OTHERWISE SPECIFIED  
DIMENSIONS ARE IN MILLIMETERS  
TOLERANCES UNLESS OTHERWISE  
SPECIFIED:

DECIMAL	LINEAR	ANGULAR
X.	±0.5	±0.5°
X.X	±0.1	±0.1°
X.XX	±0.05	±0.05°

REMOVE ALL BURRS  
AND SHARP EDGES  
DO NOT SCALE IF IN DOUBT ASK  
STATUS

ISSUED FOR REVIEW



PROJECT  
CP SIGNATURE  
SERIES

25/06/2022

**E**

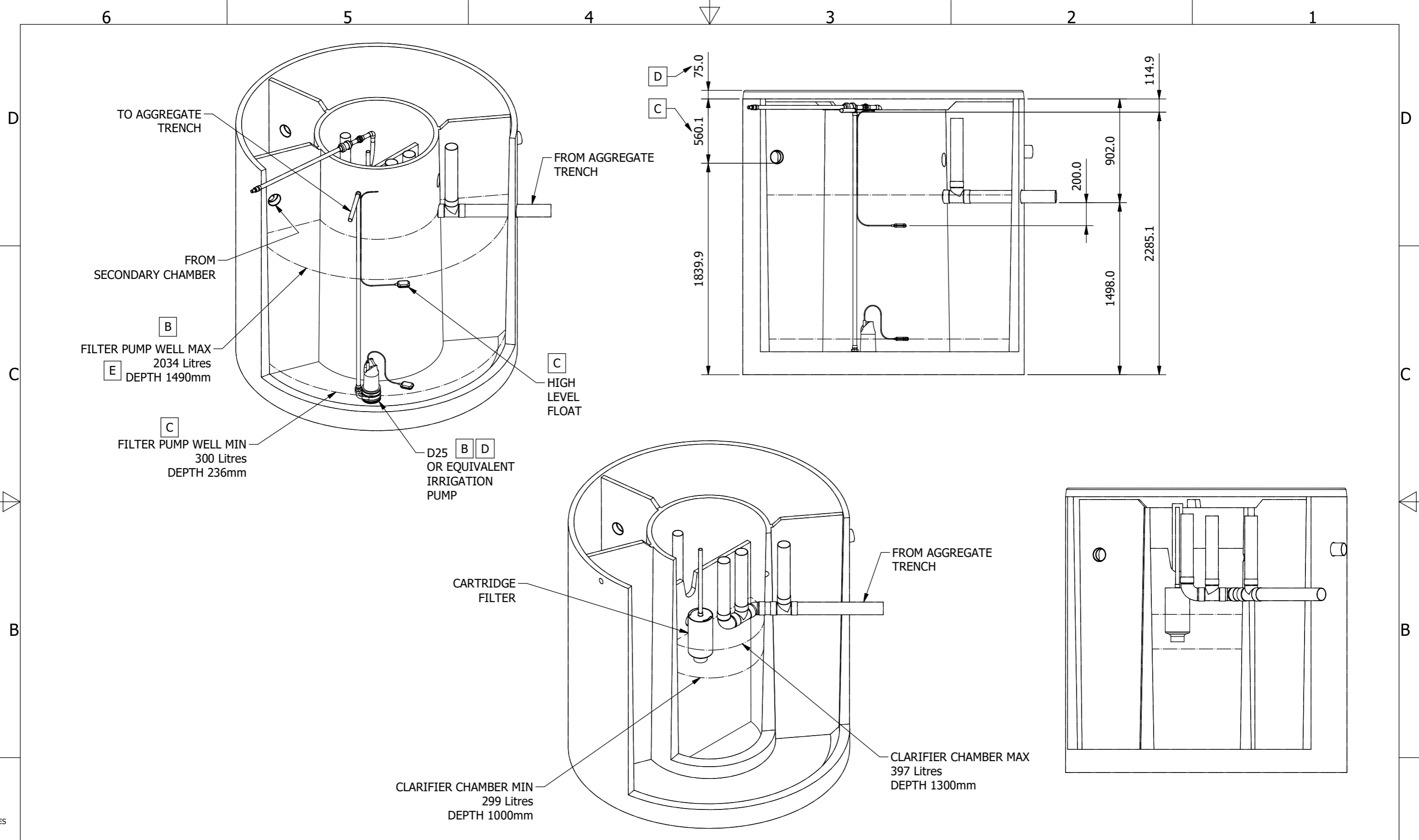
**ENVIROTECH**  
CP SIGNATURE SERIES  
LOW POWER / LOW MAINTENANCE  
WASTEWATER TREATMENT SYSTEM

CUSTOMER  
ENVIROTECH

SUPPLIER

REV	SIZE	SHEET
F	A3	2 OF 4

6 5 4 3 2 1



REV	DESCRIPTION	DWN	CKD	APP	DATE
F	ISSUED FOR SUBMITTAL	P.B	M.B	M.B	06/10/2022
E	PROJECT TITLE DESCRIPTION AND DIMENSION CHANGED	P.B	M.B	M.B	22/09/2022
D	INCORPORATED COMMENTS DIMENSIONS ADDED OR CHANGED	P.B	M.B	M.B	30/08/2022
C	INCORPORATED COMMENTS VIEWS ADDED	P.B	M.B	M.B	13/08/2022
B	INCORPORATED COMMENTS VIEW ADDED	P.B	M.B	M.B	09/07/2022
A	ISSUED FOR REVIEW	P.B	M.B	M.B	26/06/2022
REV	DESCRIPTION	DWN	CKD	APP	DATE

REVISION HISTORY



PART N° CPSS 0000
STOCK N° CPSS 0000
NC PROGRAM
PART FILE CPSS 0000
DRAWING FILE CPSS 0000
WEIGHT N/A

UNLESS OTHERWISE SPECIFIED DIMENSIONS ARE IN MILLIMETERS TOLERANCES UNLESS OTHERWISE SPECIFIED:		
DECIMAL	LINEAR	ANGULAR
X.	±0.5	±0.5°
X.X	±0.1	±0.1°
X.XX	±0.05	±0.05°
REMOVE ALL BURRS AND SHARP EDGES		
DO NOT SCALE IF IN DOUBT ASK STATUS		
ISSUED FOR REVIEW		

DRAWN P.B
CHKD
APPD
ISSUED

PROJECT CP SIGNATURE SERIES
25/06/2022

<p><b>ENVIROTECH</b> CP SIGNATURE SERIES LOW POWER / LOW MAINTENANCE WASTEWATER TREATMENT SYSTEM</p>	CUSTOMER ENVIROTECH	
	SUPPLIER	
REV F	SIZE A3	SHEET 3 OF 4



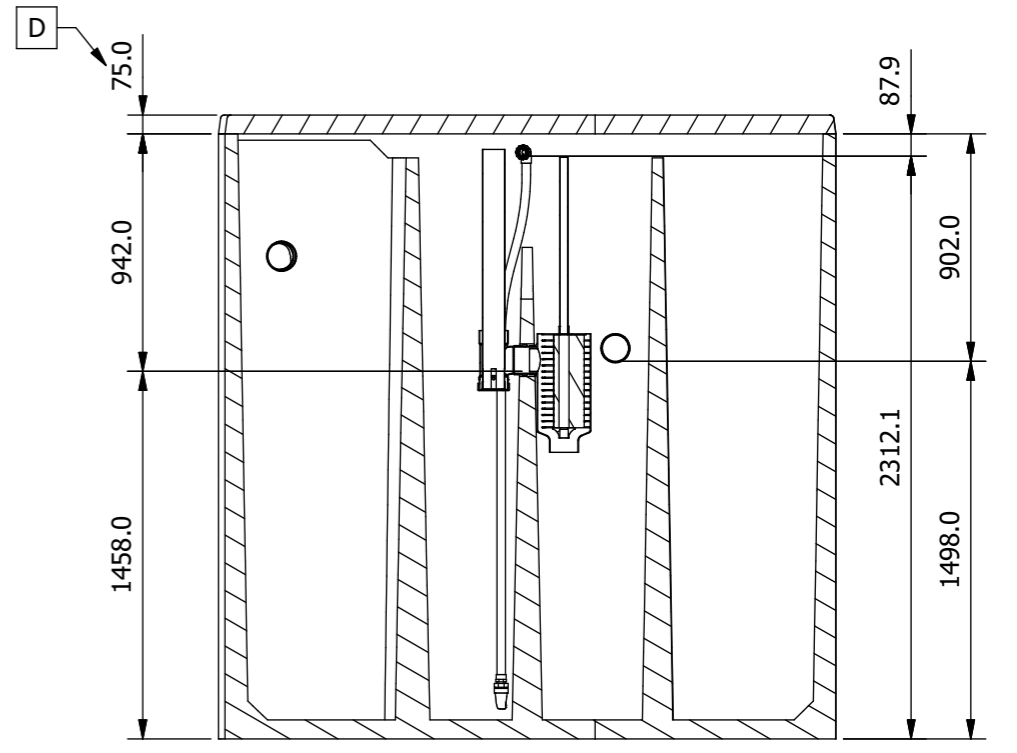
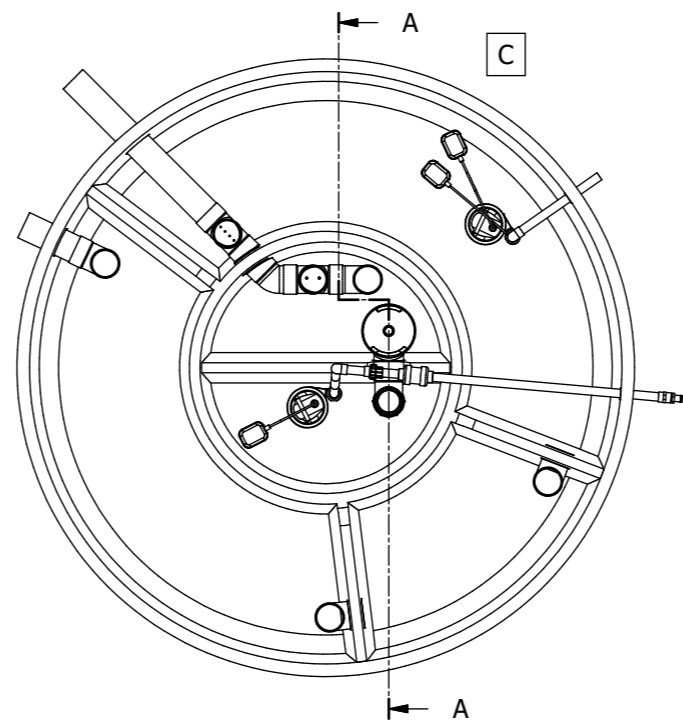
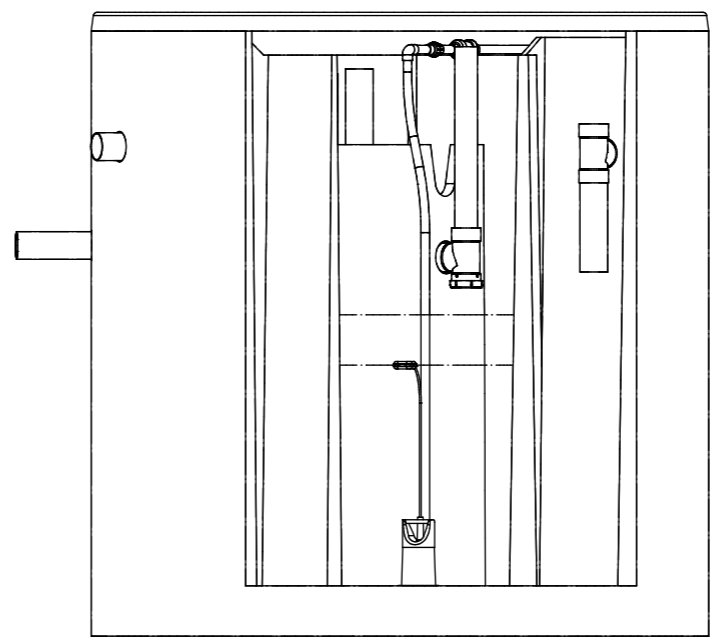
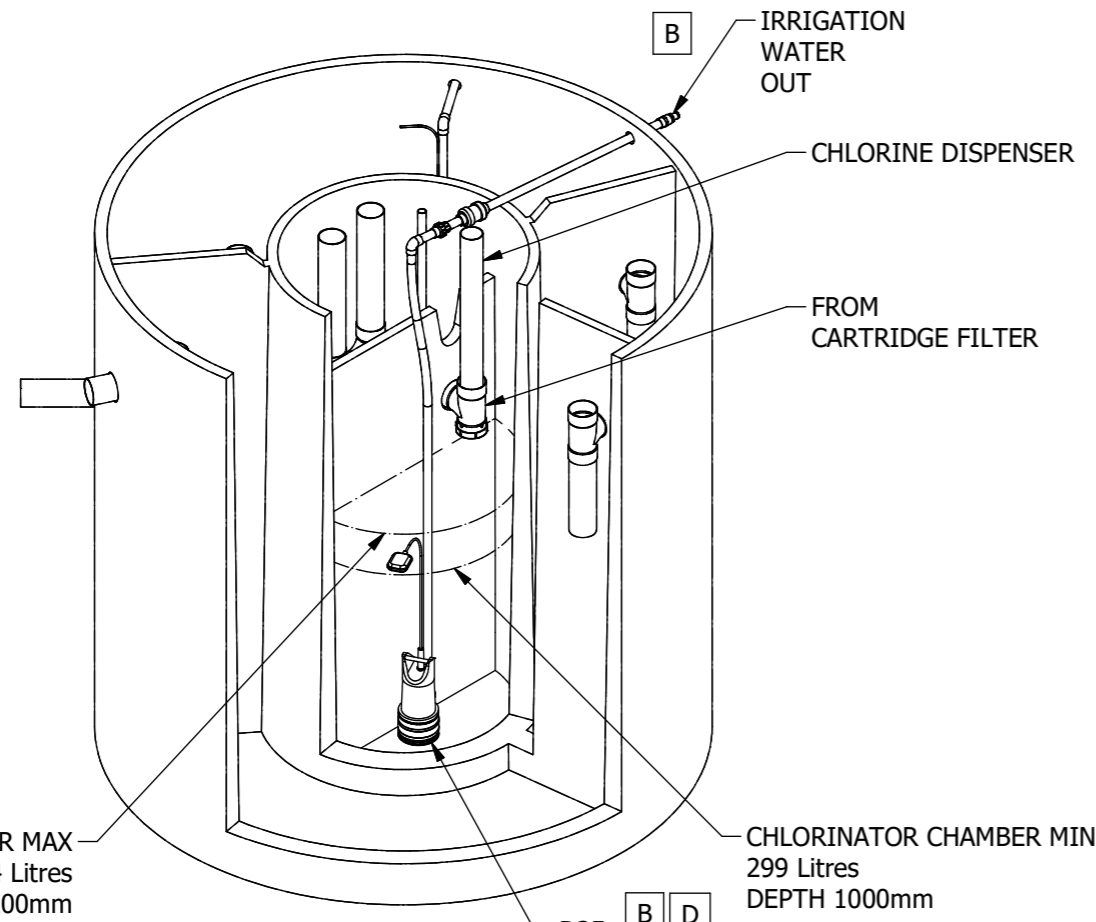
6 5 4 3 2 1

D

C

B

A



SECTION A-A

NOTES

F	ISSUED FOR SUBMITTAL	P.B	M.B	M.B	06/10/2022
E	PROJECT TITLE DESCRIPTION AND DIMENSION CHANGED	P.B	M.B	M.B	22/09/2022
D	INCORPORATED COMMENTS DIMENSIONS ADDED OR CHANGED	P.B	M.B	M.B	30/08/2022
C	INCORPORATED COMMENTS VIEWS ADDED	P.B	M.B	M.B	13/08/2022
B	INCORPORATED COMMENTS VIEW ADDED	P.B	M.B	M.B	09/07/2022
A	ISSUED FOR REVIEW	P.B	M.B	M.B	26/06/2022
REV	DESCRIPTION	DWN	CKD	APP	DATE
REVISION HISTORY					



PART N°  
CPSS 0000  
STOCK N°  
CPSS 0000  
NC PROGRAM

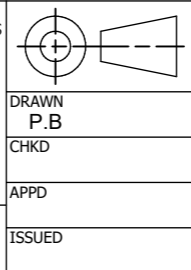
PART FILE  
CPSS 0000  
DRAWING FILE  
CPSS 0000  
WEIGHT  
N/A

UNLESS OTHERWISE SPECIFIED  
DIMENSIONS ARE IN MILLIMETERS  
TOLERANCES UNLESS OTHERWISE  
SPECIFIED:

DECIMAL	LINEAR	ANGULAR
X.	±0.5	±0.5°
X.X	±0.1	±0.1°
X.XX	±0.05	±0.05°

REMOVE ALL BURRS  
AND SHARP EDGES  
DO NOT SCALE IF IN DOUBT ASK  
STATUS

ISSUED FOR REVIEW



PROJECT  
CP SIGNATURE  
SERIES

DRAWN  
P.B

CHKD

APPD

ISSUED

**ENVIROTECH**  
CP SIGNATURE SERIES  
LOW POWER / LOW MAINTENANCE  
WASTEWATER TREATMENT SYSTEM

CUSTOMER  
ENVIROTECH

SUPPLIER

REV	SIZE	SHEET
F	A3	4 OF 4

6 5 4 3 2 1